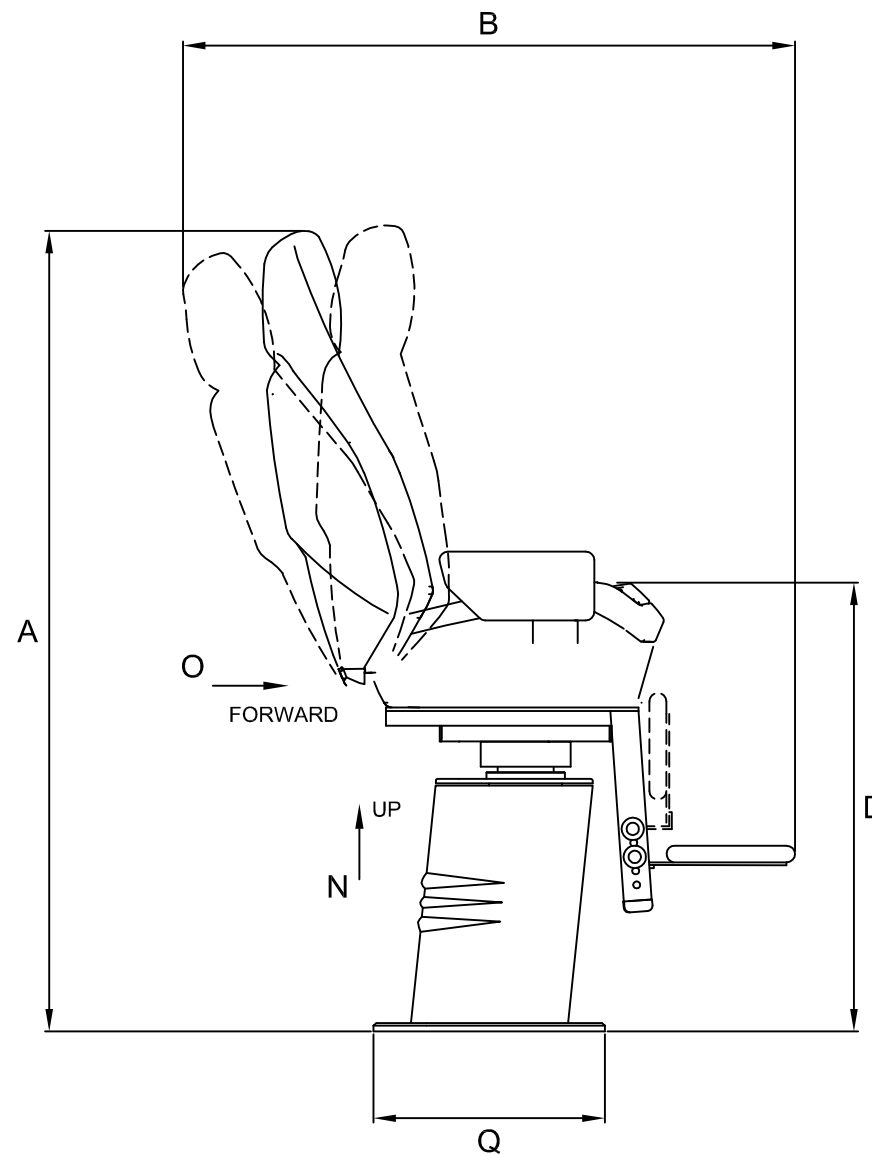
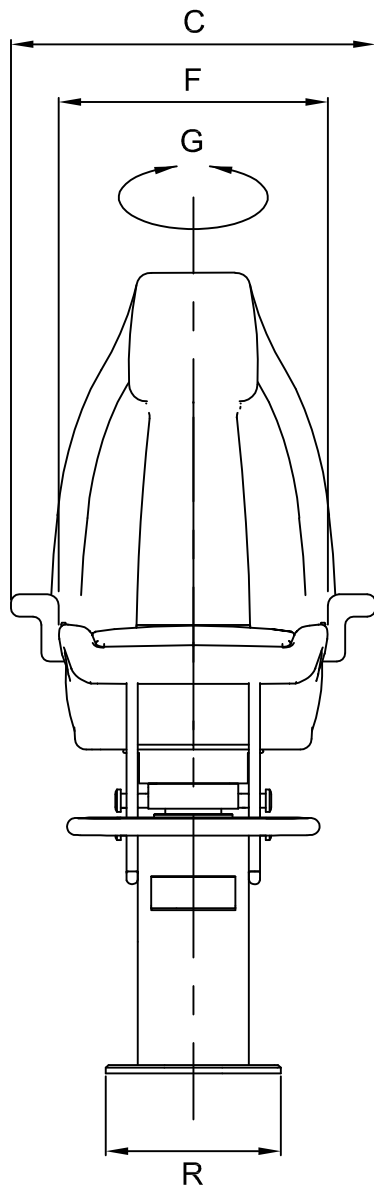


A (mm)	1430
B (mm)	≈ 1100
C (mm)	650
D (mm)	800
F (mm)	480
G (°)	90+90
N (mm)	125
O (mm)	180
Q (mm)	410
R (mm)	310
Weight (Kg)	60



The padding could vary the sizes of few centimeters



Product

P 243 DIAMOND

Automatic Helm Seat